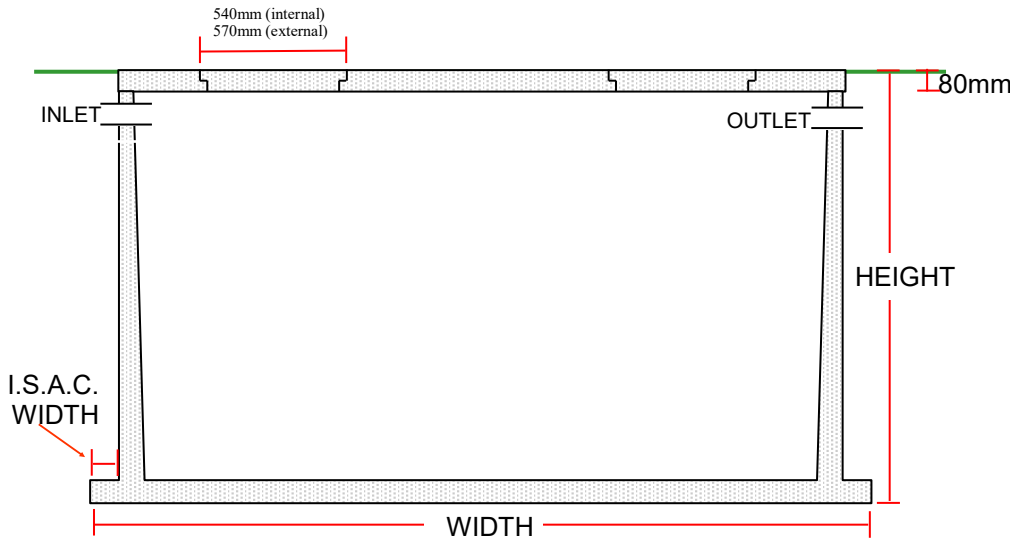


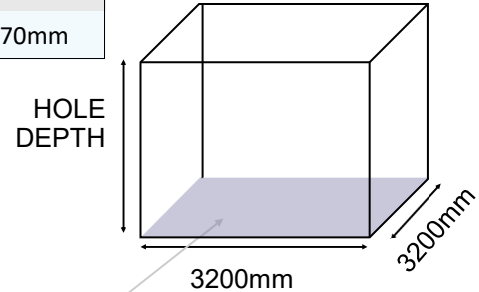
# Concrete Water Tanks - Standard (Round)

## Concrete Tank with 80mm standard lid & Integrated Self Anchoring Collar (I.S.A.C.)

| ORDER CODE | CAPACITY      | WEIGHT (KG) | WIDTH  | HEIGHT | I.S.A.C. WIDTH | HOLE DEPTH |
|------------|---------------|-------------|--------|--------|----------------|------------|
| CWT4       | 4,000 LITRES  | 3,089       | 2730mm | 1150mm | 100mm          | 1150mm     |
| CWT6       | 6,000 LITRES  | 3,680       | 2830mm | 1580mm | 150mm          | 1580mm     |
| CWT10      | 10,000 LITRES | 4,729       | 2830mm | 2470mm | 150mm          | 2470mm     |

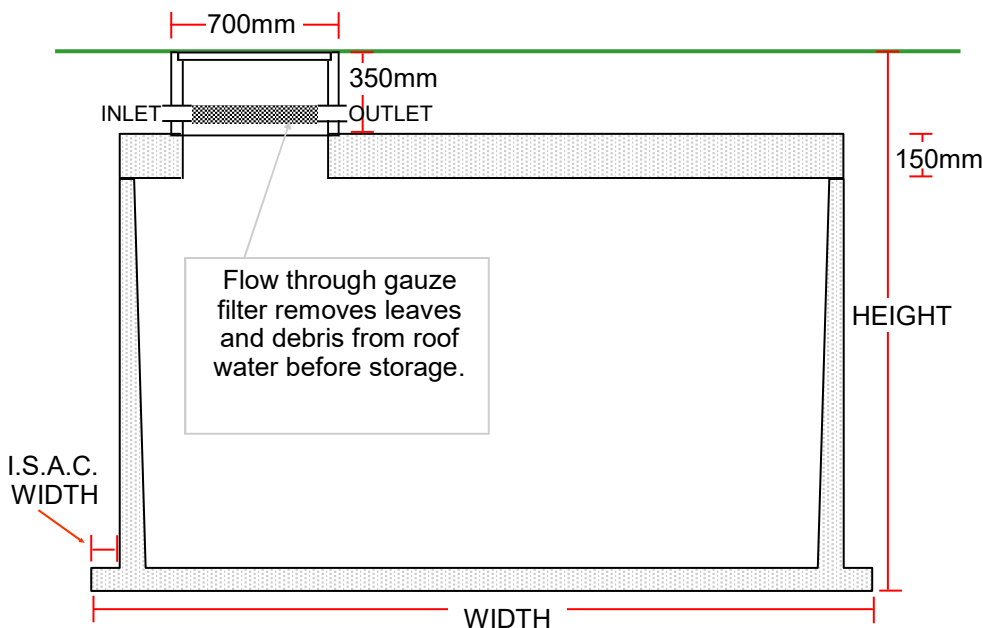


### HOLE EXCAVATION

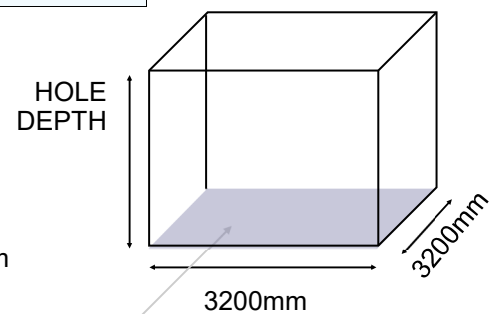


## Concrete Tank with 150mm heavy duty lid, 350mm turret, flow through filter & Integrated Self Anchoring Collar (I.S.A.C.)

| ORDER CODE | CAPACITY      | WEIGHT (KG) | WIDTH  | HEIGHT | I.S.A.C. WIDTH | HOLE DEPTH |
|------------|---------------|-------------|--------|--------|----------------|------------|
| CWTHD4     | 4,000 LITRES  | 3,990       | 2730mm | 1570mm | 100mm          | 1570mm     |
| CWTHD6     | 6,000 LITRES  | 4,581       | 2830mm | 2000mm | 150mm          | 2000mm     |
| CWTHD10    | 10,000 LITRES | 5,630       | 2830mm | 2890mm | 150mm          | 2890mm     |



### HOLE EXCAVATION



# Concrete Water Tanks - Installation Manual

1. Tanks with 80mm lid must be backfilled to within 200mm from top of lid all around tank. Warranty void if not backfilled correctly.
2. Excavation of hole to drawing specifications. Lid depth 80mm or 150mm.
3. Installation to comply with local Council requirements.
4. **Install tank in hole with level bottom using 50mm minimum level sand or metal dust aggregate base. Warranty void if not installed according to installation manual.**
5. Connect pipe work to tank.
6. Tanks have a 100mm DWV pipe protruding 50mm from tank or turret to allow 100mm connection from dwelling.
7. Tank includes an integrated self anchoring collar.
8. Backfill tank.
9. Half fill tank with water to prevent lifting of tank.
10. It is the plumbers or owners responsibility to provide all weather access for delivery truck to the excavated hole. **Ensure access is free of power lines and overhanging trees.**
11. Location of tank - avoid storm water run off areas.
12. When backfilling tank ensure no large rocks in excess of 200mm enter hole. Any damage to tanks, e.g. large rocks or machinery damage, during backfilling, is the responsibility of the contractor and/or owner and is not covered by warranty.
13. Standard lids are designed for pedestrian traffic only and must not be covered by any fill materials.
14. Heavy duty lids are suitable for covering with material to the top of manhole centre riser.
15. Tank lids & manhole risers are sealed at factory using an approved sealant.
16. Additional concrete around tank is recommended for the 10,000 litre tank with 80mm lid.

## ROUND TANKS

Cylindrical vertical axis collection well.

Manufactured by casting & vibrating steel reinforced concrete.

### LID

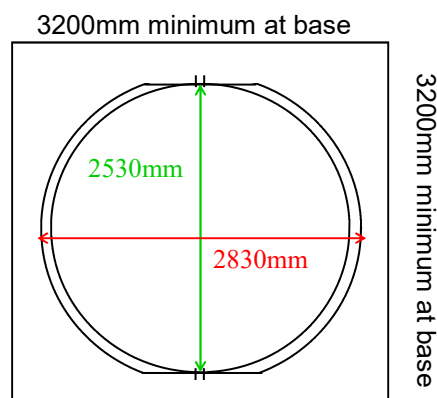
- 150mm thick double reinforced with F82 mesh using 40mpa concrete for below ground application up to 4 tonnes load limit

- 80mm thick lid for in-ground, pedestrian traffic only.

RISER—concrete access covers for non-trafficable areas, i.e. lawn or garden.

- Class B steel access covers for all areas including driveways, up to 2.5 tonnes load limit.
- Class D heavy duty steel access covers up to 4 tonnes load limit on tank.

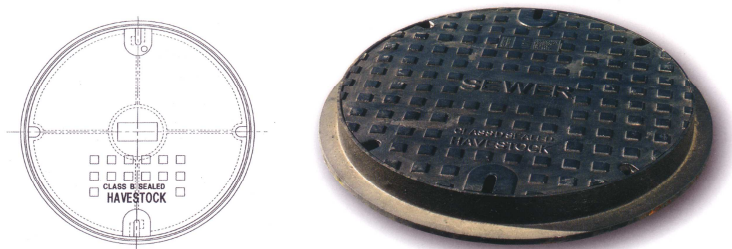
## ROUND TANKS



In all applications outlet must fall to easement or roadway.

# Concrete Water Tanks - Options

| <b>EJ Steel Access Covers</b>                  |  |
|--|--|
| Used in conjunction with 150 mm heavy duty lid |  |
| ORDER CODE                                     | DESCRIPTION  |
| SACB   | CLASS B - for all areas including driveways, load limit 2.5 tonnes |
| SACD   | CLASS D - heavy duty, load limit 4 tonnes on tank                  |



| <b>BASIX CONTROL UNIT</b> |                                |
|---------------------------|--------------------------------|
| ORDER CODE                | DESCRIPTION                    |
| 804712                    | RS6-DIVERTRON1200 RAINSAVERMK6 |

Bianco RAINSAVERMK6 Automatic Rainwater / Mains Water Changeover device  
Installed in conjunction with DAB-Divertron1200 submersible pressure pump

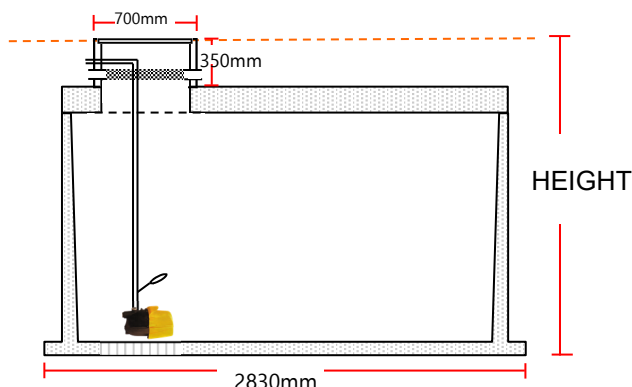
The RAINSAVERMK6 supplies clean rainwater from a rainwater tank via an automatic pressure system pump to toilets, laundry & garden taps in a household.

Mains water is also connected to the RAINSAVERMK6 as an automatic backup should rain water level be too low, or if there is a power or pump failure.

## DAB MK6-DIVERTRON1200



Flow: 95LT/min  
Head: 48m  
Power: 750W



Example of single tank with 150mm heavy duty lid, 350mm turret, flow through filter and **submersible pump installed.**