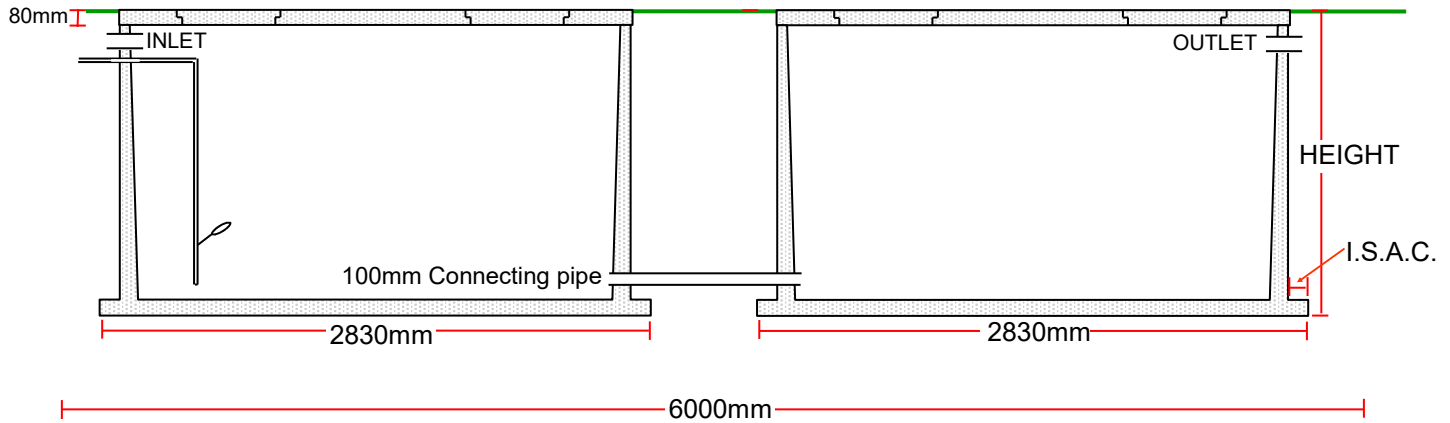


Rainwater Storage Systems

Rainwater Storage System with 80mm standard lid, I.S.A.C. & 100mm connecting pipe 150mm from base of tanks.

ORDER CODE	CAPACITY	WIDTH	HEIGHT	I.S.A.C. WIDTH	HOLE DEPTH
RSS12	12,000 LITRES	2830mm	1580mm	150mm	1580mm
RSS20	20,000 LITRES	2830mm	2470mm	150mm	2470mm

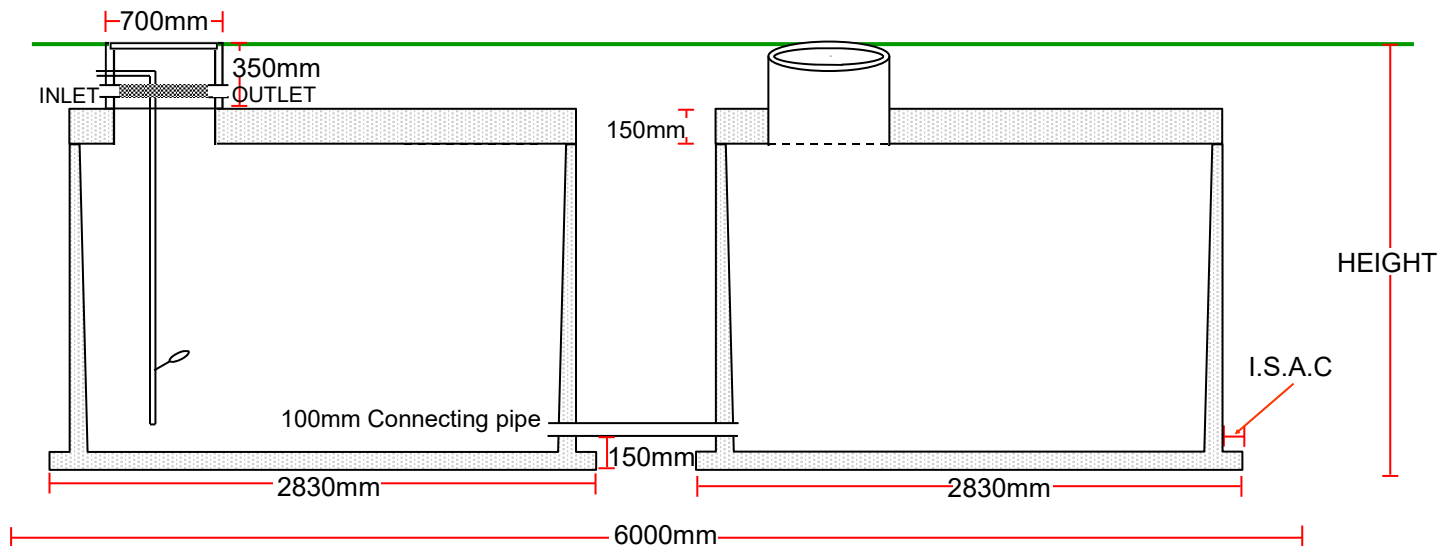
25mm suction pipe and float not included



Rainwater Storage System with 150mm heavy duty lid, 350mm turret, flow through filter, I.S.A.C. & 100mm connecting pipe 150mm from base of tanks.

ORDER CODE	CAPACITY	WIDTH	HEIGHT	I.S.A.C. WIDTH	HOLE DEPTH
RSSHD13	13,000 LITRES	2830mm	2000mm	150mm	2000mm
RSSHD21	21,000 LITRES	2830mm	2890mm	150mm	2890mm

25mm suction pipe and float not included
Installer to connect air line between tanks



Rainwater Storage Systems - Installation Manual

1. Tanks with 80mm lid must be backfilled to within 200mm from top of lid all around tank. **Warranty void if not backfilled correctly.**
2. Excavation of hole to drawing specifications. Lid depth 80mm or 150mm.
3. Installation to comply with local Council requirements.
4. **Install tank in hole with level bottom using 50mm minimum level sand or metal dust aggregate base. Warranty void if not installed according to installation manual.**
5. Connect pipe work to tank.
6. Tanks have a 100mm DWV pipe protruding 50mm from tank or turret to allow 100mm connection from dwelling.
7. **Connect 100mm connecting pipe between tanks and encase in blue metal to prevent breakage when backfilling.**
8. Tank includes an integrated self anchoring collar.
9. Backfill tank.
10. Half fill tank with water to prevent lifting of tank.
11. It is the plumbers or owners responsibility to provide all weather access for delivery truck to the excavated hole. **Ensure access is free of power lines and overhanging trees.**
12. Location of tank - avoid storm water run off areas.
13. When backfilling tank ensure no large rocks in excess of 200mm enter hole. Any damage to tanks, e.g. large rocks or machinery damage, during backfilling, is the responsibility of the contractor and/or owner and is not covered by warranty.
14. Standard lids are designed for pedestrian traffic only and must not be covered by any fill materials.
15. Heavy duty lids are suitable for covering with material to the top of manhole centre riser.
16. Tank lids & manhole risers are sealed at factory using an approved sealant.
17. Additional concrete around tank is recommended for the 10,000 litre tank with 80mm lid.

Cylindrical vertical axis collection well.

Manufactured by casting & vibrating steel reinforced concrete.

LID

- 150mm thick double reinforced with F82 mesh using 40mpa concrete for below ground application up to 4 tonnes load limit .

- 80mm thick lid for in-ground, pedestrian traffic only.

RISER—concrete access covers for non-trafficable areas, i.e. lawn or garden.

- Class B steel access covers for all areas including driveways, up to 2.5 tonnes load limit.
- Class D heavy duty steel access covers up to 4 tonnes load limit on tank.

