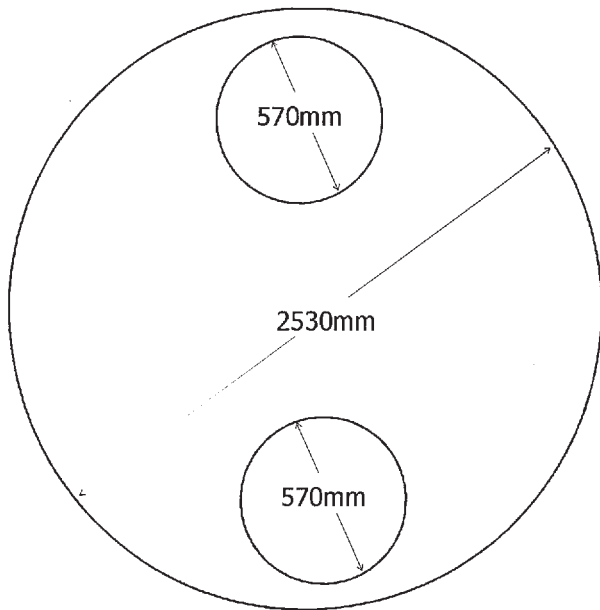


**ACCREDITED**  
 29 APR 2019  
 NSW MINISTRY OF HEALTH



Cylindrical vertical axis collection well with integrated self anchoring collar.

Manufactured by casting & vibrating S38 fibre steel reinforced concrete with extra F72 reinforcing mesh in base of tank.

Lids are cast with 40mpa concrete with F82 steel reinforcing mesh.

Lifting pins 600mm below top of tank.

80mm thick lid | 1 x F82 steel reinforcing mesh

1. All Collection Wells are manufactured to comply with Australian Standards AS/NZS 1546.1 :2008.

## 10,000 litre COLLECTION WELL

**COLLECTION WELLS** manufactured by Highland Tanks Pty Ltd.  
 PO Box 1158, MITTAGONG NSW 2575  
 Factory: 16 Gantry Place, BRAEMAR  
 Phone: 02 4889 8288 Fax: 02 4889 8566

Highland Tanks Pty. Ltd.  
 ACN 090 907 725 trading as  
**Highland Concrete Tanks**  
 PO Box 1158, MITTAGONG NSW 2575  
 Phone: 02 4889 8562 Fax: 02 4889 8566

Drawing No.  
**HCT43D 51**  
 Revision 1  
 6/09/2015

Designed:  
 D.W. Rebbeck

Date:  
 11/11/09