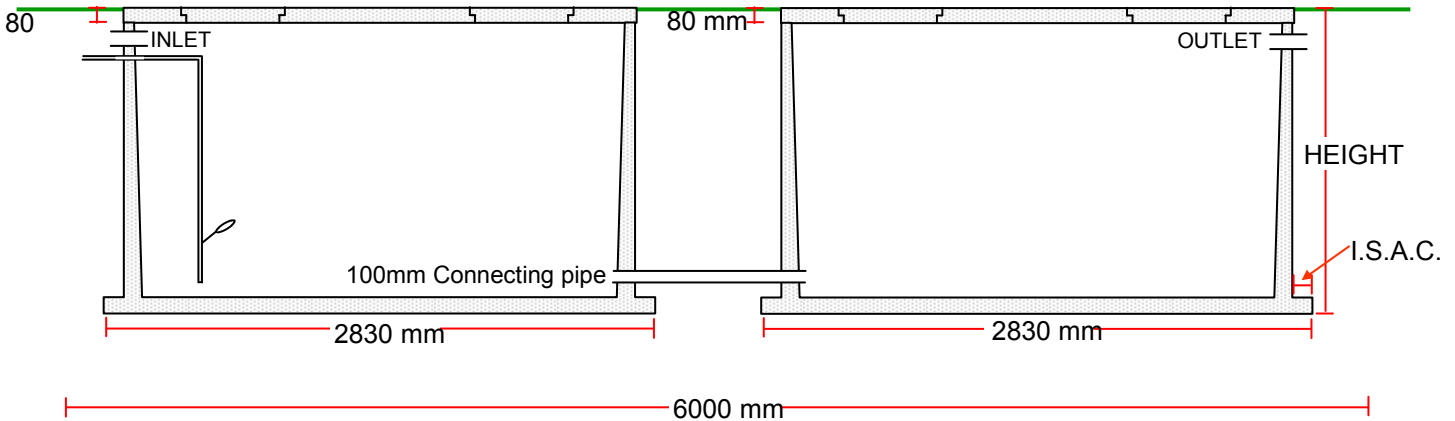


Rainwater Storage Systems

Rainwater Storage System with 80 mm standard lid, I.S.A.C. & 50mm connecting pipe 150mm from base of tanks.

	ORDER CODE	CAPACITY	WIDTH	HEIGHT	I.S.A.C. WIDTH	HOLE DEPTH
	RSS12	12,000 LITRES	2830 mm	1580 mm	150 mm	1580 mm
	RSS20	20,000 LITRES	2830 mm	2470 mm	150 mm	2470 mm

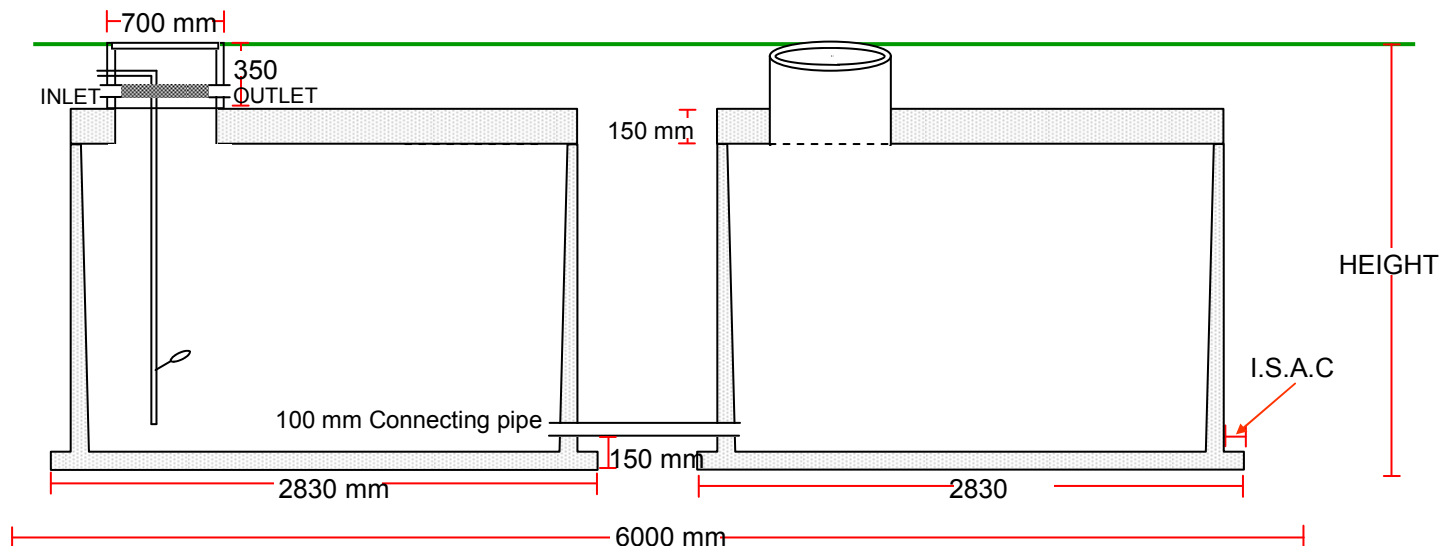
25 mm suction pipe and float not included



Rainwater Storage System with 150 mm heavy duty lid, 350 mm turret, flow through filter, I.S.A.C. & 100mm connecting pipe 150mm from base of tanks.

	ORDER CODE	CAPACITY	WIDTH	HEIGHT	I.S.A.C. WIDTH	HOLE DEPTH
	RSSHD13	13,000 LITRES	2830 mm	2000 mm	150 mm	2000 mm
	RSSHD21	21,000 LITRES	2830 mm	2890 mm	150 mm	2890 mm

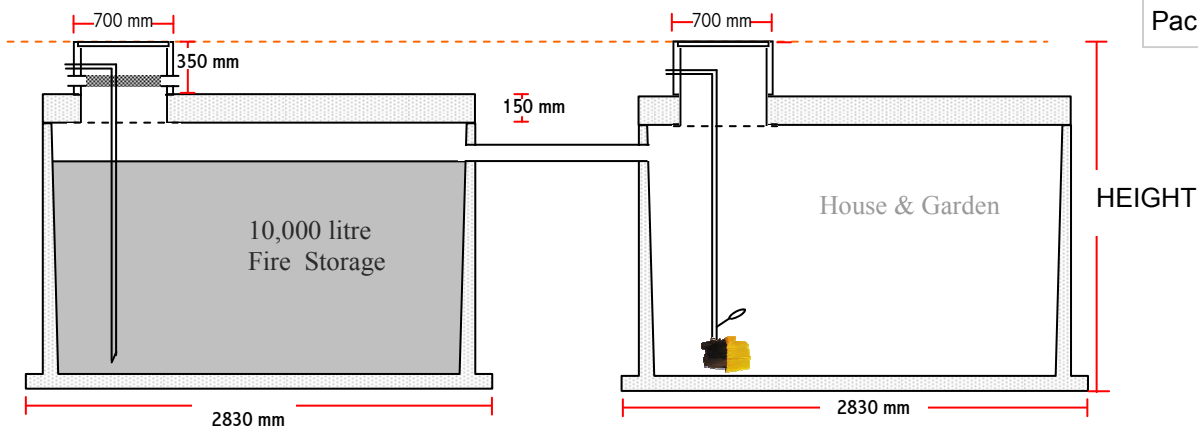
25 mm suction pipe and float not included
Installer to connect air line between tanks



Rainwater Storage Systems cont.

House & Fire Storage System with 150 mm heavy duty lid, 350mm turret, flow through filter, 65mm suction pipe & check valve.

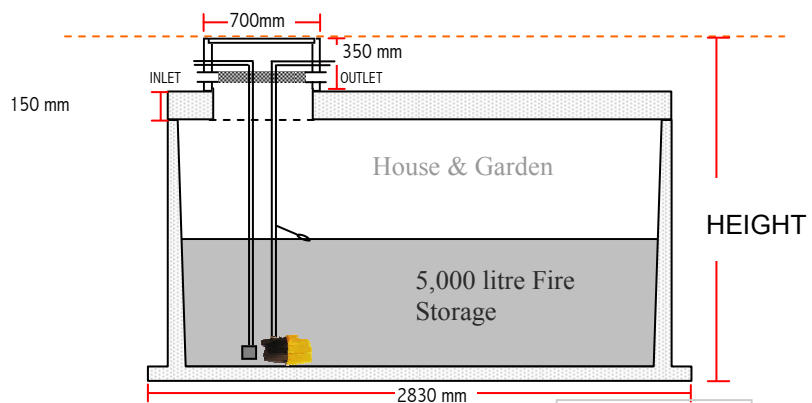
	ORDER CODE	CAPACITY	HEIGHT
	HFSSHD13	13,000 LITRES	2000 mm
	HFSSHD21	21,000 LITRES	2890 mm



Example of twin tank House & Fire Package.

House & Fire Storage System with 150mm heavy duty lid, 350mm turret, flow through filter, 65mm suction pipe & check valve.

	ORDER CODE	CAPACITY	WIDTH	HEIGHT
	HFSSHD10500	10,500 LITRES	2830 mm	2890 mm



Example of single tank House & Fire Package.

Rainwater Storage Systems - Installation Manual

1. Tanks with 80mm lid must be backfilled to within 200mm from top of lid all around tank. **Warranty void if not backfilled correctly.**
2. Excavation of hole to drawing specifications. Lid depth 80mm or 150mm.
3. Installation to comply with local Council requirements.
4. **Install tank in hole with level bottom using 50mm minimum level sand or metal dust aggregate base. Warranty void if not installed according to installation manual.**
5. Connect pipe work to tank.
6. Tanks have a 100mm DWV pipe protruding 50mm from tank or turret to allow 100mm connection from dwelling.
7. **Connect 100 mm connecting pipe between tanks and encase in blue metal to prevent breakage when backfilling.**
8. Tank includes an integrated self anchoring collar.
9. Backfill tank.
10. Half fill tank with water to prevent lifting of tank.
11. It is the plumbers or owners responsibility to provide all weather access for delivery truck to the excavated hole. **Ensure access is free of power lines and overhanging trees.**
12. Location of tank - avoid storm water run off areas.
13. When backfilling tank ensure no large rocks in excess of 200mm enter hole. Any damage to tanks, e.g. large rocks or machinery damage, during backfilling, is the responsibility of the contractor and/or owner and is not covered by warranty.
14. Standard lids are designed for pedestrian traffic only and must not be covered by any fill materials.
15. Heavy duty lids are suitable for covering with material to the top of manhole centre riser.
16. Tank lids & manhole risers are sealed at factory using an approved sealant.
17. Additional concrete around tank is recommended for the 10,000 litre tank with 80mm lid.

Cylindrical vertical axis collection well.

Manufactured by casting & vibrating steel reinforced concrete.

LID

- 150mm thick double reinforced with F82 mesh using 40mpa concrete for below ground application up to 4 tonnes load limit .

- 80mm thick lid for in-ground, pedestrian traffic only.

RISER—concrete access covers for non-trafficable areas, i.e. lawn or garden.

- Class B steel access covers for all areas including driveways, up to 2.5 tonnes load limit.
- Class D heavy duty steel access covers up to 4 tonnes load limit on tank.

